



Ostim OSB Turan Cigdem Cd No:7/1
Yenimahalle – ANKARA – TURKIYE
bilgi@genkor.com.tr
www.genkor.com.tr

SAVR STATIC EXCITATION SYSTEMS

- ✓ Output Current Range : 500 – 1000 – 2000 – 3000 Adc
- ✓ Project based system design for higher levels
- ✓ FCR, AVR, VAR and PF control modes
- ✓ Online & Soft-Switching between control modes
- ✓ DSP based high speed controller
- ✓ Thyristor based fully controlled rectifier (6-pulse)
- ✓ Built – in protection & limiter functions :
OEL – UEL – SCL – V/Hz – Max/Min Set Point
- ✓ PSS2B / PSS4B function (optional)

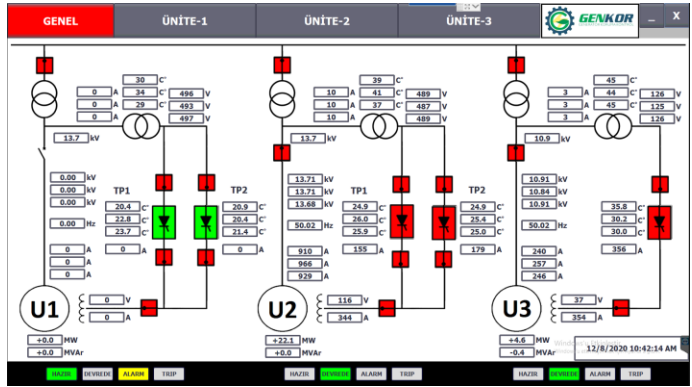


GENERATOR PROTECTION CONTROL

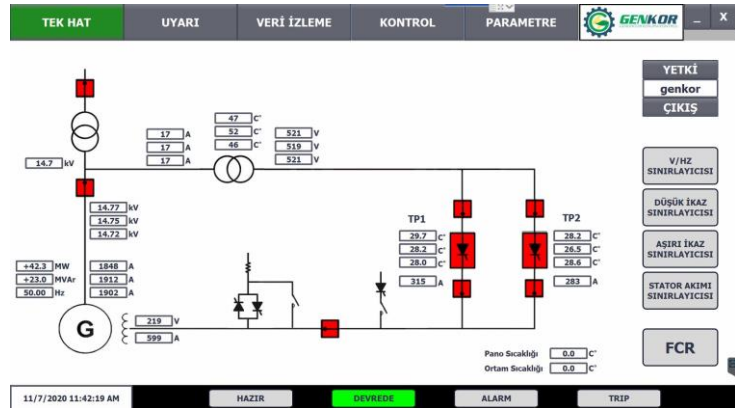
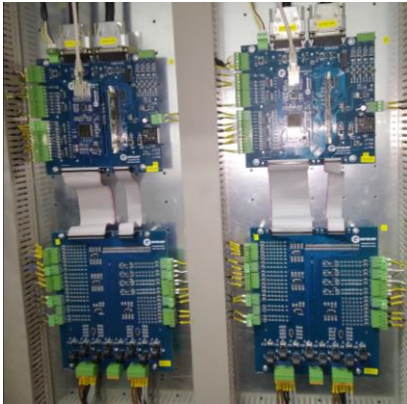
- ✓ Precise triggering due to DSP-based PLL Algorithm
- ✓ Wide operating frequency range (40-60Hz)
- ✓ Voltage accuracy < 0.25%
- ✓ Soft – Start function
- ✓ Low field flashing current (max 5% of rated)
- ✓ Relay or Opto-coupler isolated Digital I/Os
- ✓ MODBUS TCP/IP, Profinet Communication
- ✓ Time Tagged Alarm List



- ✓ Data logging capability
- ✓ Logging of all measured electrical values
- ✓ Log capacity min 3 months
- ✓ Data sampling & tracing period 1 ms
- ✓ Online & historical data tracing
- ✓ Exportable data in csv format
- ✓ Capacitive touch screen based HMI
- ✓ Online parameter setting
- ✓ Password protected user levels
- ✓ Power loss proof : parameter, software, logs



- ✓ Redundant controller and/or rectifier (optional)
- ✓ Redundant/Parallel rectifier operation with active field current sharing (optional)
- ✓ Online & bumpless transfer between redundant units
- ✓ Redundant built-in power supplies



Please contact us for detailed information...

bilgi@genkor.com.tr

www.genkor.com.tr



GENERATOR PROTECTION CONTROL